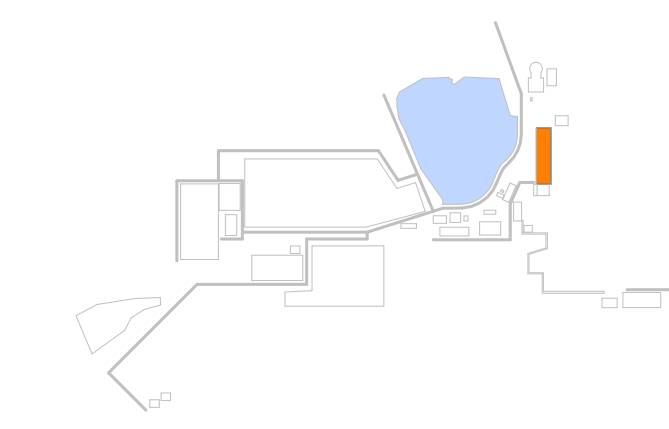
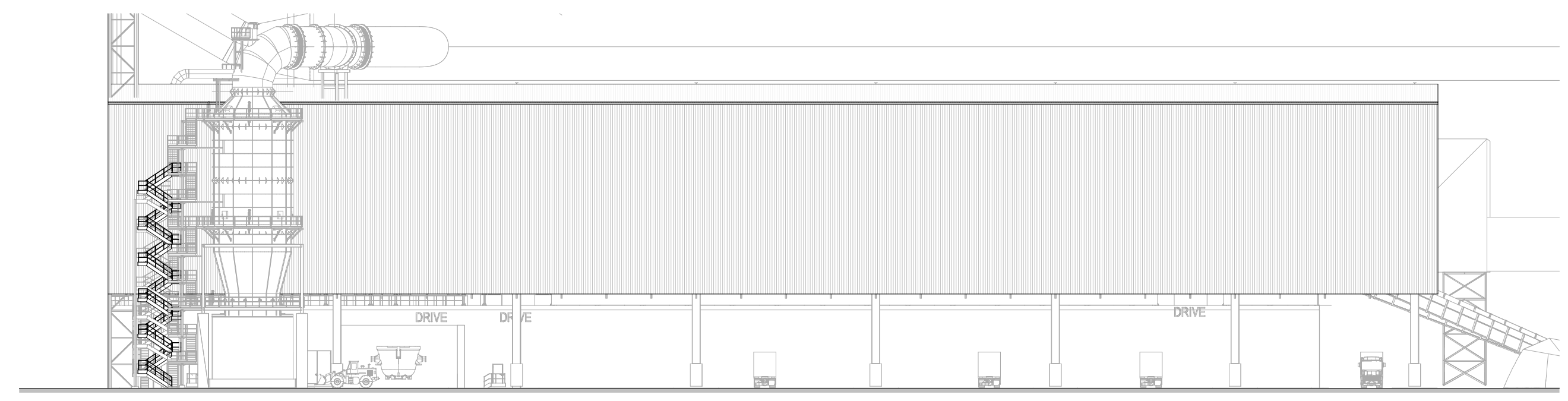
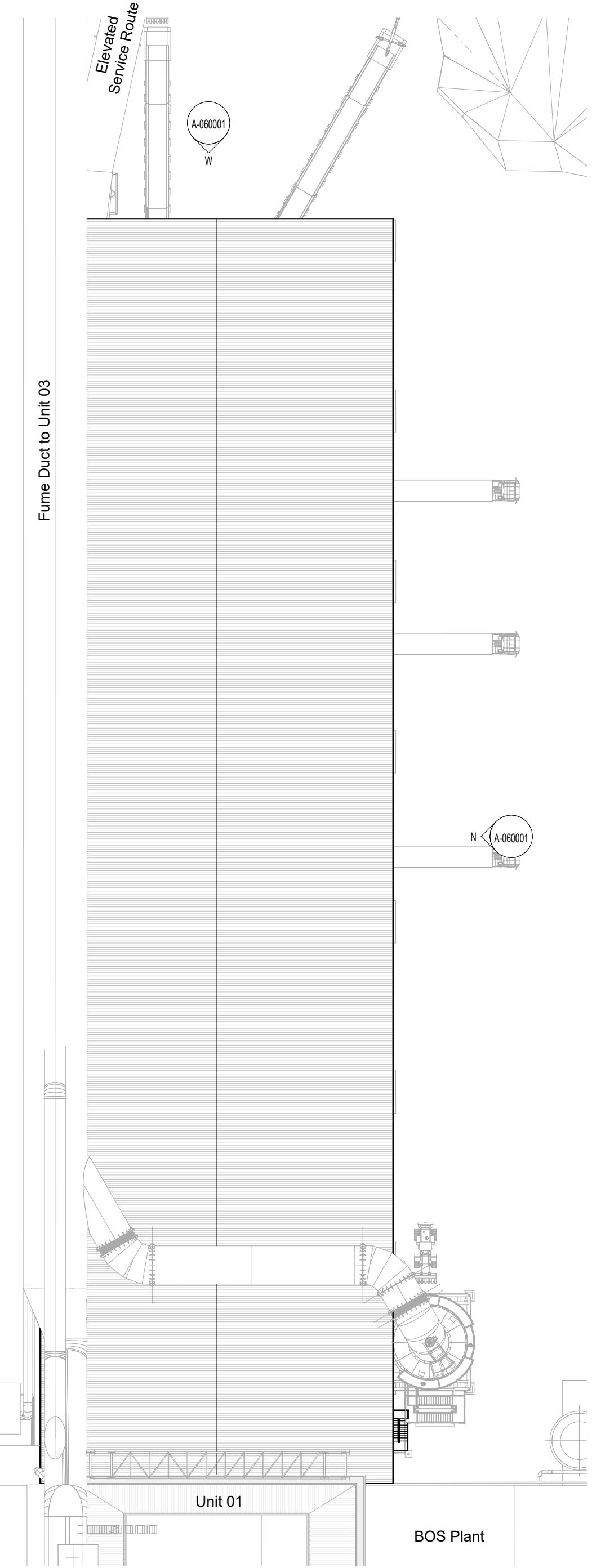


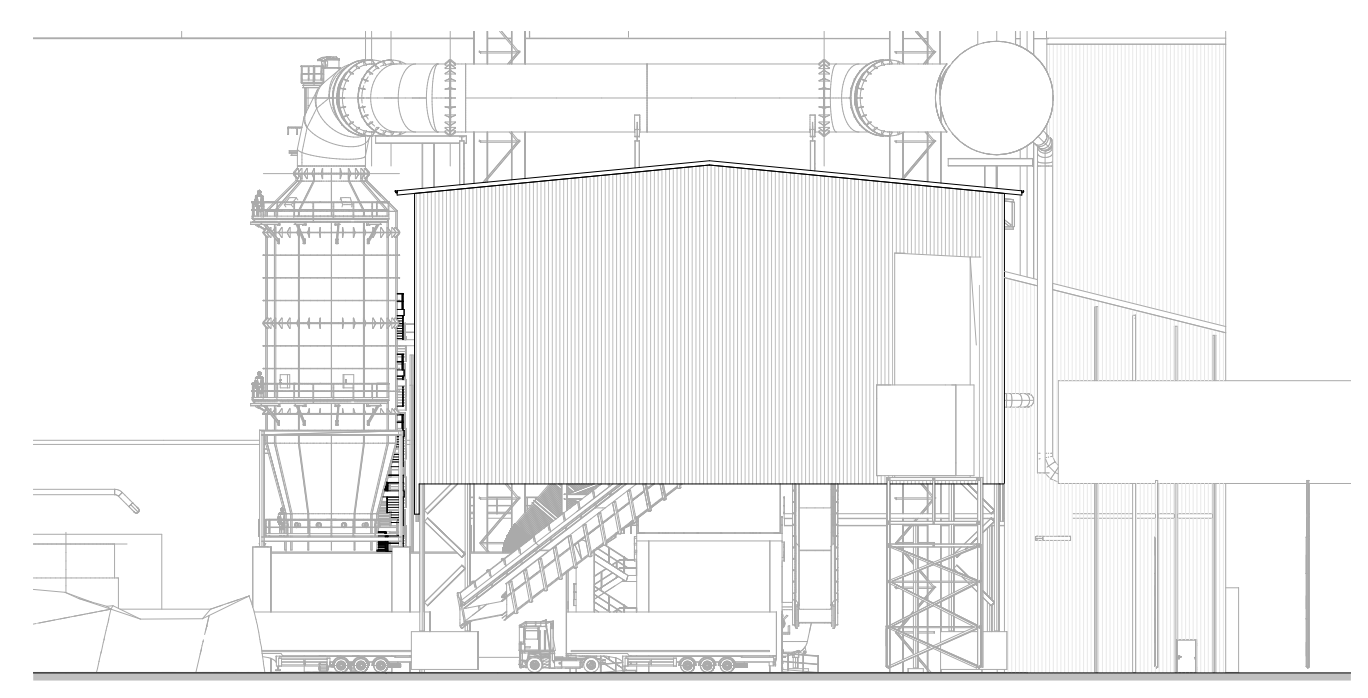
Construction (Design and Management) Regulations
 Design risk assessments are carried out throughout the design stage of this project in accordance with company procedures and manuals. Where reasonably possible all areas of risk applicable to design and end use of the construction have been identified and then eliminated, mitigated or recorded as a residual risk. Note that general risks of which a competent designer or contractor should be aware are not included. This drawing is to be read in conjunction with the Pre-construction Information and all related documents prepared in accordance with the current Construction (Design and Management) Regulations 2015 and all applicable Health and Safety legislation as currently amended.



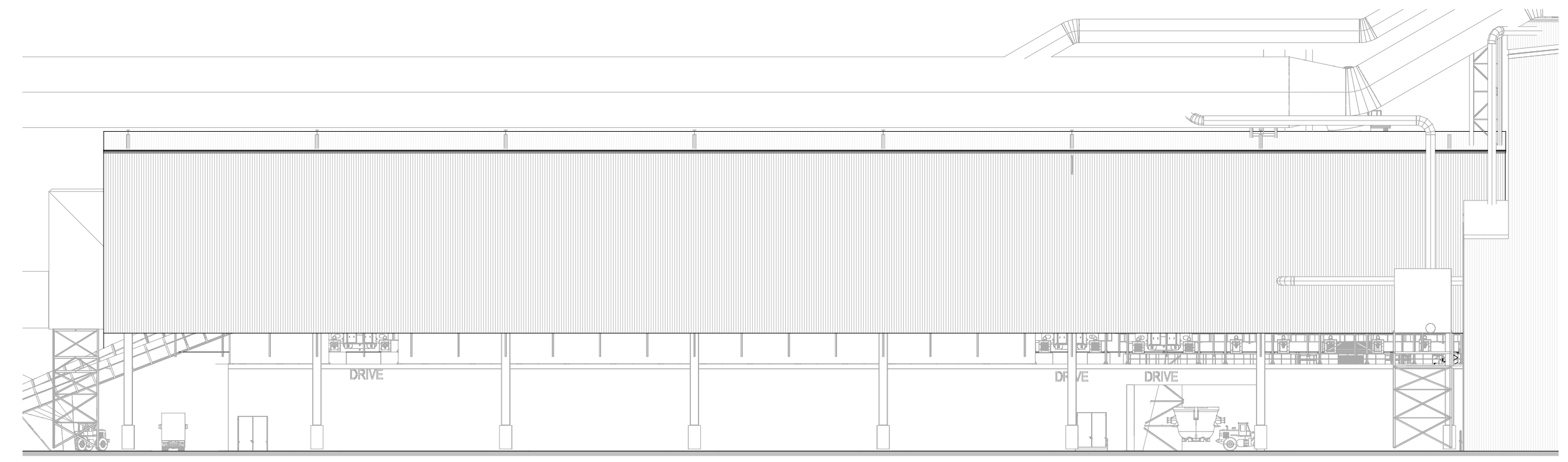
Transports graded scrap metal through a pre-heating system and charges the metal directly into the Electric Arc Furnace on a continuous basis



N North Elevation
1 : 500

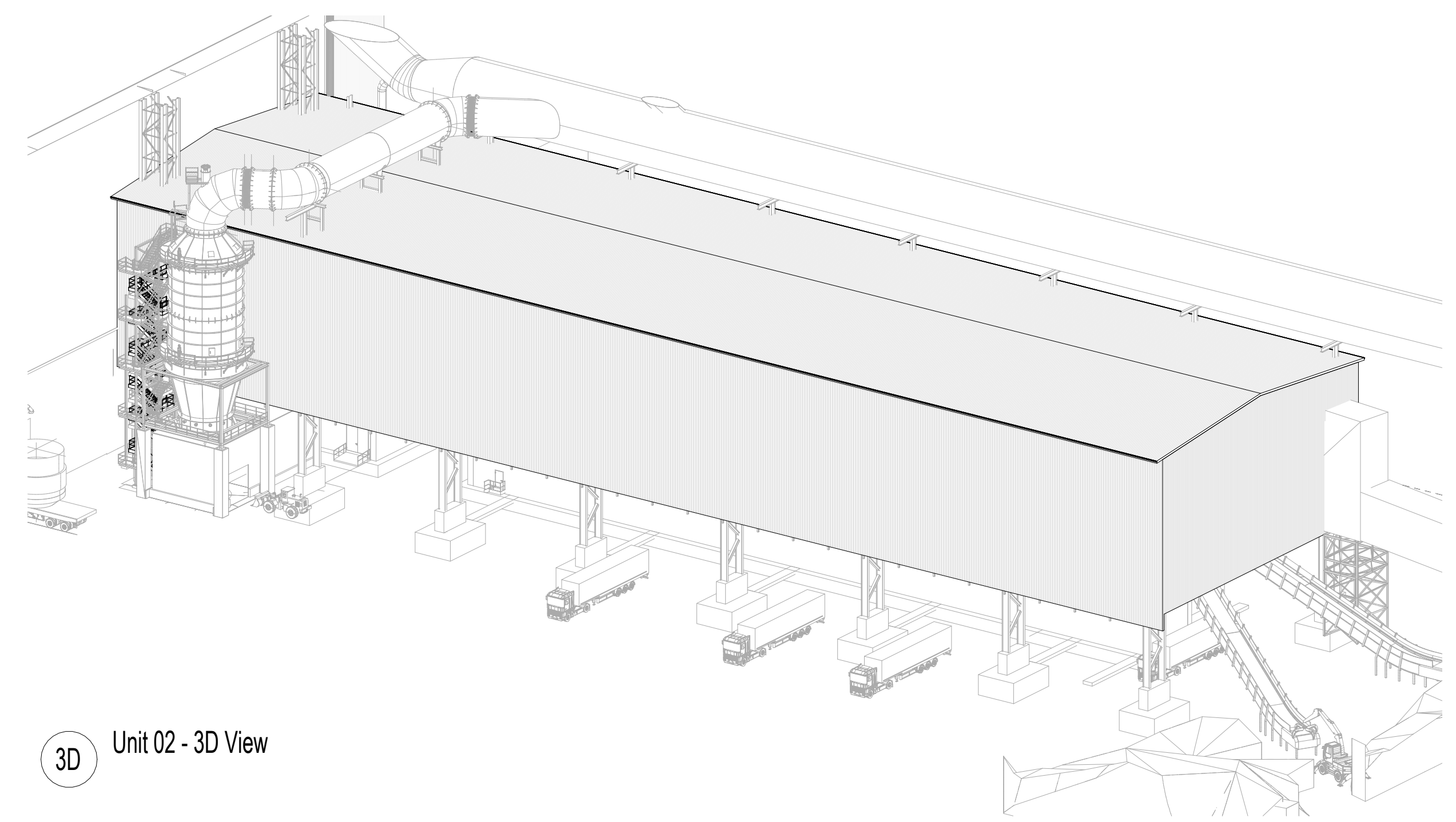


W West Elevation
1 : 500



S South Elevation
1 : 500

P Unit 02 - Consteel Conveyor
1 : 500



3D Unit 02 - 3D View

P03	Updated following NPT comments	05/09/2024
P02	Issue for NPT	23/08/2024
P01	Incorporating TUR comments	15/07/24
P00	Initial Issue	28/05/24
REV	DESCRIPTION DRAWN BY CHECKED BY APPROVED BY	DATE
RIBA PLAN OF WORK STAGE	LEVEL OF MODEL DEFINITION (LoD)	
Stage 3 - Spatial Coordination	LoD 3 - Approximate Model	
PURPOSE OF ISSUE - SUITABLE FOR...	STATUS or SUITABILITY	
Planning Submission	Status S2 - Delivery Team Information	



CARDIFF 029 2052 8140
 LONDON 0207 138 3560
 WREXHAM 01978 357 887
 www.lawray.co.uk
 CLIENT
 Tata Steel UK Ltd.

PROJECT TITLE
 EAF PROJECT, PORT TALBOT

DRAWING TITLE
 Unit 02 - Consteel Conveyor - Proposed GAs

PROJECT No 20007 SCALE @ A1 As indicated

DRAWING No	1100	Project	Originator	Issue	Level	Type	Scale	Revision
1801/0001	1900	Project	Originator	Functional	Spatial	Form	Discipline	Number
1801/0001								

DO NOT SCALE Any discrepancy or query concerning this drawing should be referred to the Architect. Copyright © LAWRAY LIMITED. Registered Office: Greenmeadow Springs, 1 Cae Gwydd, Trefynlais, CARDIFF CF15 7AB. Reg. Co. No. 272417E, VAT Reg. No. 134 2146 06